

### FEATURES

- HDMI keystone (reference 8300049)
- Available cover colours (sold separately, with reference 83000250X, where X = colour):
  - Anthracite (X=5)
  - Silver (X=6)
  - Gloss white (X=8)
  - Matt white (X=9)
- Flush fitting with ZS55 series 1 to 4-gang frames (sold separately, with reference 980000Y0X, where Y = number of gangs, X = colour)
- The HDMI insert support is sold separately (reference 8300024)
- The use of fixing clamps is optional. This reference is sold separately (reference ZACZSCLA)
- Dimensions 55.5 x 55.5 x 24.2 mm
- Low profile: it protrudes 9.5 mm from the wall
- Flush-mounted installation

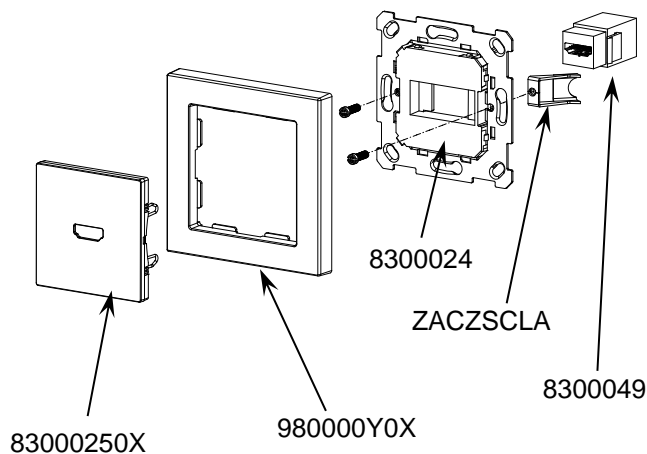


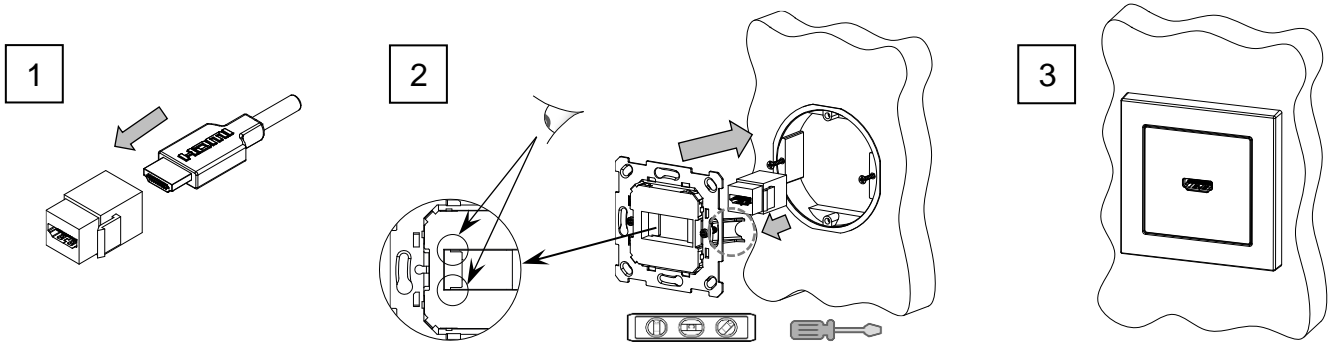
Figure 1. HDMI outlet

GENERAL SPECIFICATIONS	
CONCEPT	DESCRIPTION
Operation temperature	0 .. +40 °C
Storage temperature	-20 .. +55 °C
Operation humidity	5 .. 95% RH
Storage humidity	5 .. 95% RH
Degree of protection	IP20, clean environment
Installation	Independent device to be installed in back boxes
Weight	34 g
Housing material	PC+ABS FR V0 halogen free

## INSTALLATION INSTRUCTIONS

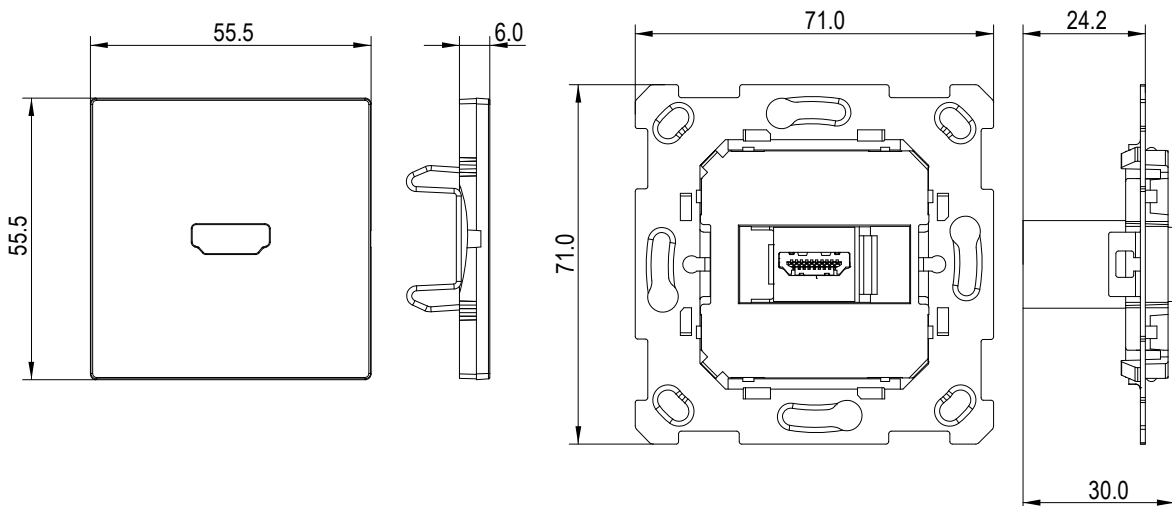
1. Connect the HDMI cable at the backside of the HDMI keystone.
2. Insert the HDMI keystone into the support piece by first introducing the rigid clips at the side where the two grooves are located (see detail image), and then tilting the keystone to insert the flexible clip on the opposite side. Fix the fixing plate to a square or round flush back box by using the screws from the box (fixing clamps can optionally be used). Check that the plate is correctly leveled.
3. Fix the decorative frame and the cover into their final position.

To remove it, proceed the reverse way.



**NOTE:** Please ensure that the flush back box is deep enough, according to the HDMI connector.

## DIMENSIONS (mm)



## SAFETY INSTRUCTIONS AND ADDITIONAL NOTES

- Installation should only be performed by qualified professionals according to the laws and regulations applicable in each country.
- Keep the device away from water (condensation over the device included) and do not cover it with clothes, paper or any other material while in use.
- The WEEE logo means that this device contains electronic parts and it must be properly disposed of by following the instructions at <https://www.zennio.com/en/legal/wEEE-regulation>.

